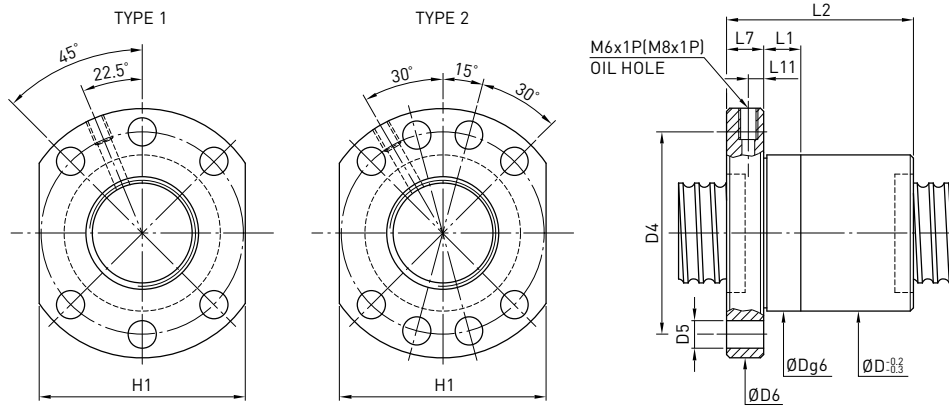


7.5 Dimensions for Stock Rolled Ballscrews

F S I TYPE (DIN 69051 part 5 form B)

◀ Stock



Model	Size		Ball Dia.	Circuits	Dynamic Load 1x10 ⁶ revs C (kgf)	Static Load Co (kgf)	D	D4	Flange Hole No.	D5	D6	H1	L1	L2	L7	L11	M-Oil Hole		
	Nominal Dia.	Lead																	
16-5T3	16	5	3.175	3	1000	2000	28	38	6	5.5	48	40	10	40	10	5	M6x1P		
20-5T3	20			3	1160	2660	36	47	6	6.6	58	44	10	44	10	5	M6x1P		
20-5T4	20			4	1490	3550	36	47	6	6.6	58	44	10	52	10	5	M6x1P		
25-5T3	25			3	1320	3490	40	51	6	6.6	62	48	10	44	10	5	M6x1P		
25-5T4	25	4	1690	4660	40	51	6	6.6	62	48	12	52	10	5	M6x1P				
25-10T3	25	10	4.763	3	2160	4860	40	51	6	6.6	62	48	16	65	10	5	M6x1P		
32-5T3	32	5	3.175	3	1500	4660	50	65	6	9	80	62	10	46	12	6	M6x1P		
32-5T4	32			4	1920	6210	50	65	6	9	80	62	10	53	12	6	M6x1P		
32-5T6	32			6	2730	9320	50	65	6	9	80	62	10	66	12	6	M6x1P		
32-10T3	32			10	6.350	3	3650	8660	50	65	6	9	80	62	16	74	12	6	M6x1P
32-10T4	32	4	4680	11550	50	65	6	9	80	62	16	85	12	6	M6x1P				
40-5T4	40	5	3.175	4	2110	7770	63	78	8	9	93	70	10	53	14	7	M8x1P		
40-5T6	40			6	2990	11650	63	78	8	9	93	70	10	66	14	7	M8x1P		
40-10T3	40			10	6.350	3	4030	10680	63	78	8	9	93	70	16	74	14	7	M8x1P
40-10T4	40			4	5170	14240	63	78	8	9	93	70	16	87	14	7	M8x1P		
50-5T4	50	5	3.175	4	2330	9990	75	93	8	11	110	85	10	57	16	8	M8x1P		
50-5T6	50			6	3310	14980	75	93	8	11	110	85	10	70	16	8	M8x1P		
50-10T3	50			10	6.350	3	4590	14000	75	93	8	11	110	85	16	78	16	8	M8x1P
50-10T4	50			4	5880	18660	75	93	8	11	110	85	16	89	16	8	M8x1P		
50-10T6	50	6	8330	28000	75	93	8	11	110	85	16	112	16	8	M8x1P				

* The calculation for dynamic load and static load is based on DIN69051.