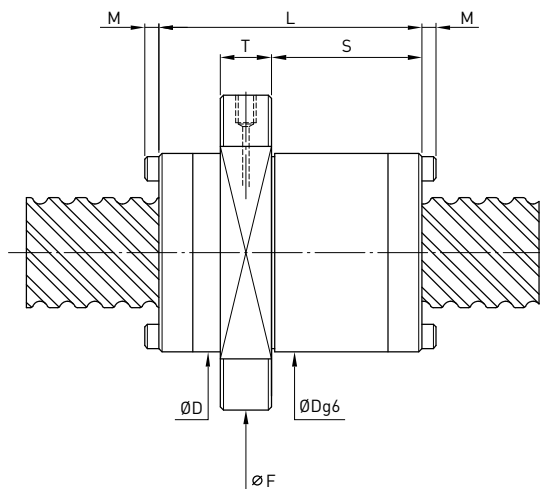
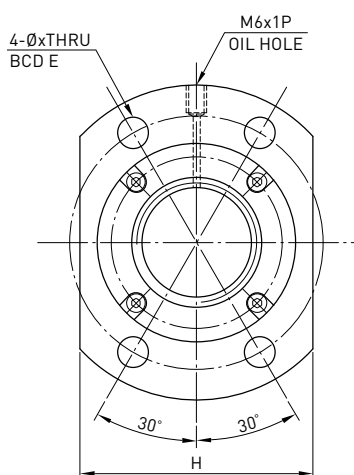


F S H TYPE



Model	Size		Ball Dia.	Circuits	Dynamic Load 1x10 ⁶ revs C (kgf)	Static Load Co (kgf)	Nut		Flange			Bolt X	Fit		
	Nominal Dia.	Lead					D	L	F	T	BCD-E		H	S	M
16-16S2	16	16	3.175	1.8x2	780	1830	32	48	53	10	42	38	4.5	26	0
16-16S4				1.8x4	1420	3670									
16-16S2				1.8x2	780	1830	33	48	58	10	45	38	6.6	26	0
16-16S4				1.8x4	1420	3670									
20-20S2	20	20	3.175	1.8x2	870	2290	39	48	62	10	50	46	5.5	27.5	0
20-20S2				1.8x2	870	2290									
20-20S4				1.8x4	1580	4590	38	58	62	10	50	46	5.5	32.5	3
25-25S2	25	25	3.969	1.8x2	1300	3600									
25-25S4				1.8x4	2360	7200									
32-32S2	32	32	4.763	1.8x2	1840	5450	58	85	92	15	74	68	9	48	0
32-32S4				1.8x4	3340	10900									
40-40S2	40	40	6.350	1.8x2	3030	9220	72	102	114	17	93	84	11	60	0
40-40S4				1.8x4	5500	18450									
50-50S2	50	50	7.938	1.8x2	4520	14440	90	125	135	20	112	104	14	83.5	0
50-50S4				1.8x4	8220	28880									