

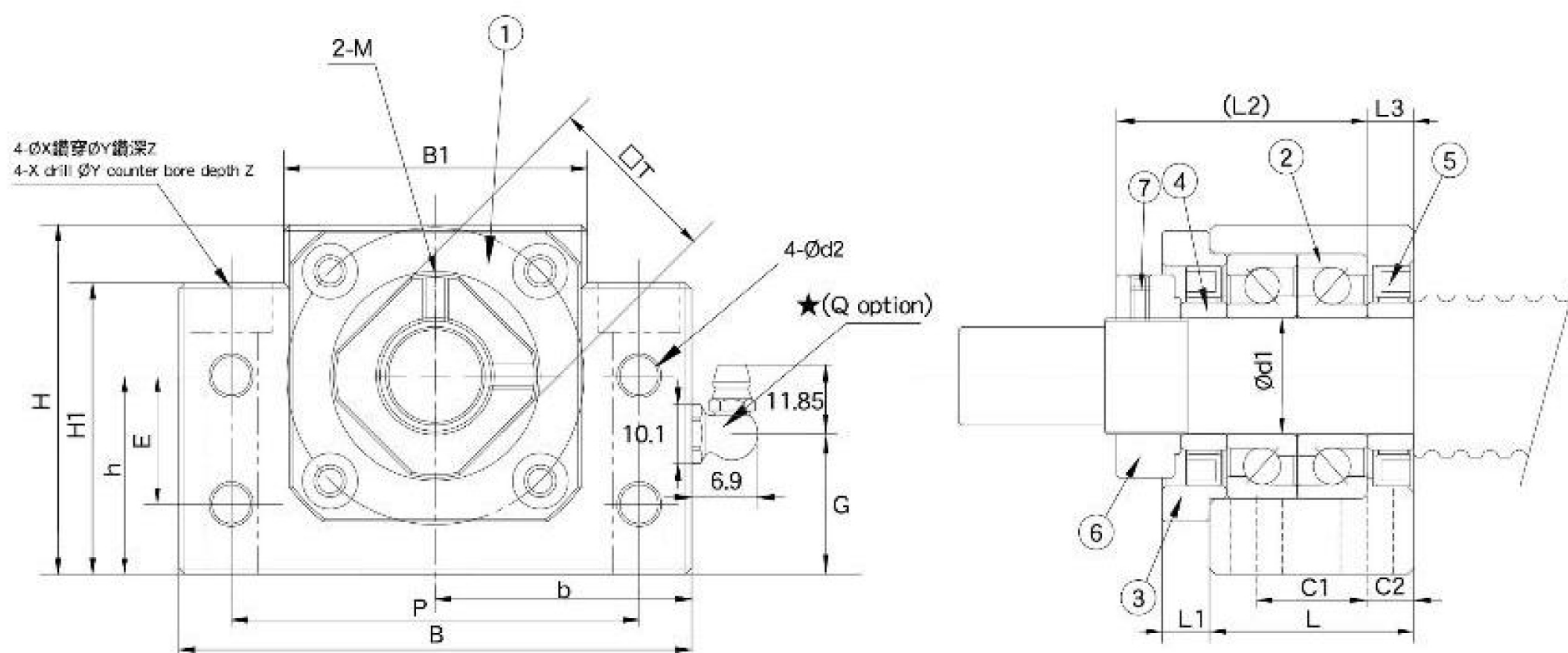
BK系列 (方型固定側)

Support Unit BK
(fixed-side rectangular type)



編號/Part No.	部品名稱/Part name	數量/Qty
1	軸承座本體/Housing	1
2	軸承/Bearing	1組/1 set
3	壓板/Holding lid	1
4	間隔圈/Collar	2
5	軸封/Seal	2
6	鎖固螺帽/Lock nut	1組/1set
7	內六角止付螺絲 Hexagon socket-head Setscrew	2

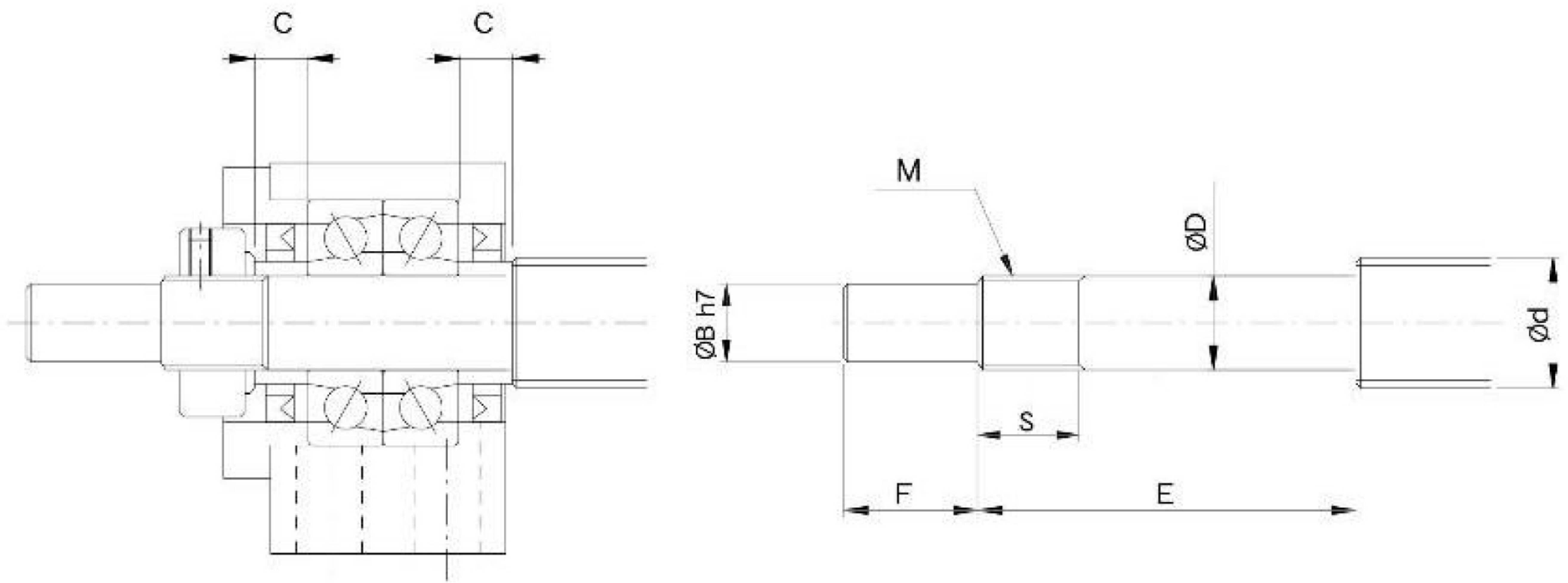
BK



單位/Unit : mm

型號 Model No.	軸徑 Shaft diameter d1	L	L1	L2	L3	B	H	b ±0.02	h ±0.02	B1	H1	E	P	C1	C2	d2	X	Y	Z	M	T	G	Q	重量 Weight (Kgs)
BK10	10	25	5	29.5	5	60	39	30	22	34	32.5	15	46	13	6	5.5	6.6	10.8	5	M3	16	15	M6	0.4
BK12	12	25	5	29.5	5	60	43	30	25	34	32.5	18	46	13	6	5.5	6.6	10.8	1.5	M4	19	18	M6	0.45
BK15	15	27	6	32	6	70	48	35	28	40	38	18	54	15	6	5.5	6.6	11	6.5	M4	22	18	M6	0.6
BK17	17	35	9	44	7	86	64	43	39	50	55	28	68	19	8	6.6	9	14	8.5	M4	24	30	M6	1.3
BK20	20	35	8	43	8	88	60	44	34	52	50	22	70	19	8	6.6	9	14	8.5	M4	30	24	M6	1.3
BK25	25	42	12	54	9	106	80	53	48	64	70	33	85	22	10	9	11	17	11	M5	35	37	M6	2.4
BK30	30	45	14	61	9	128	89	64	51	76	78	33	102	23	11	11	14	20	13	M6	40	37	M6	3.4
BK35	35	50	14	67	12	140	96	70	52	88	79	35	114	26	12	11	14	20	13	M8	50	37	M6	4.4
BK40	40	61	18	76	15	160	110	80	60	100	90	37	130	33	14	14	18	26	17.5	M8	50	43	M6	6.8

Recommended shaft end shape (Fixed-side)
for Support Units types



BK型
Type BK

單位/Unit : mm

型號 Support unit model No.	滾珠螺桿軸外徑 Ball screw shaft OD	軸端部外徑 Shaft support portion OD				公稱螺紋 Metric screw thread	套筒長度 Length of Sleeve	
BK型 Type BK	d	D	B	E	F	M	S	C
BK10	12/14/15	10 -0.008 -0.015	8	36	15	M10×1	12	5.5
BK12	14/15/16	12 -0.008 -0.017	10	36	15	M12×1	12	5.5
BK15	18/20	15 -0.008 -0.017	12	40	20	M15×1	12	6
BK17	20/25	17 -0.008 -0.017	15	53	23	M17×1	17	7
BK20	25/28	20 -0.010 -0.020	17	53	25	M20×1	15	8
BK25	32/36	25 -0.010 -0.020	20	66	30	M25×1.5	20	9
BK30	36/40	30 -0.010 -0.020	25	73	38	M30×1.5	25	9
BK35	45	35 -0.012 -0.025	30	82	45	M35×1.5	26	12
BK40	50	40 -0.012 -0.025	35	94	50	M40×1.5	30	15